

CAT® D6R, R2 TRACK TYPE TRACTORS ENGINE REPAIR OPTIONS



LET'S DO THE WORK.™

WHY CHOOSE GMMCO FOR REPAIR OPTION

Every repair situation has its own unique set of challenges. Gmmco offers several options for repair components of your machine.

Timely identification of problem will help you to repair component before failure. It will minimize your operating cost, improve productivity and profitability.

Our Caterpillar trained experts help you to do repair before failure and choose various options available for repair for saving time and money.

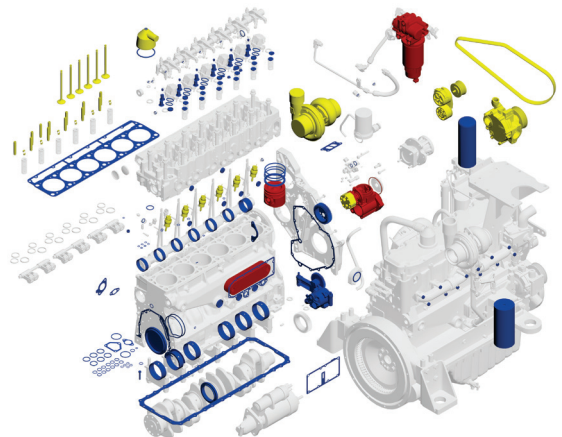
KEY BENEFITS

- Save repair cost 25% to 30%
- Reduced production loss
- Increased machine availability
- Warranty for repaired assembly

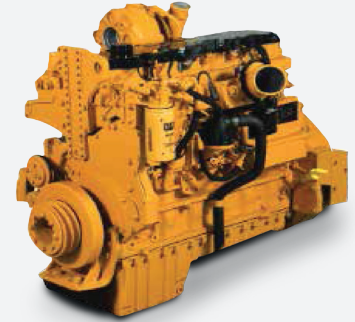
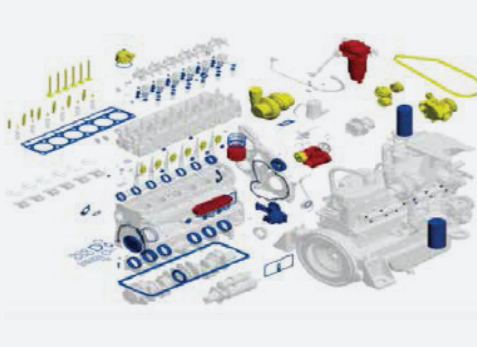
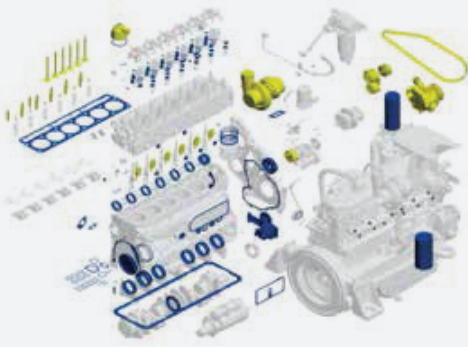
REPAIR INDICATORS

Engine requires immediate Diagnosis and Repair if below indications are observed

- Loss of power & not taking load
- High engine oil consumption
- Abnormal schedule oil sample report



Engine Repair Options



Level 1

Minor Repair at Site

Job Scope:

- Replace piston rings
- Replace connecting rod bearing
- Repair water pump
- Repair turbocharger
- Replace cylinder head gasket kit
- Repair fan drive pulley
- Repair / replace belts and belt tensioner
- Adjust valve clearance
- Perform PM 500 service

Level 2

Major Repair at Workshop

Job Scope:

- Perform level 1 repairs
- Replace crank shaft bearings & thrust washer
- Replace crankshaft seals
- Replace cam shaft bearings
- Repair cylinder head
- Replace cylinder piston & liner
- Replace connecting rod bolts
- Repair / replace lube oil pump
- Replace timing gear bearings
- Clean after cooler and oil cooler
- Repair air compressor, if fitted
- Load testing
- Painting

Level 3 & 4

Gmmco Exchange & Cat® New Engine

Job Scope (Level 3):

- Perform level 1 & 2 repairs
- Replace injectors
- Replace fuel pump
- Repair / replace turbocharger cartridge
- Repair starter motor & alternator
- Inspect & replace sensors

Job Scope (Level 4):

- Replace with new Cat engine

TRUSTED COMPANION FOR YOUR SUCCESS

Gmmco Limited

CK Birla Group

No 6, G.S.T. Road, St. Thomas Mount, Chennai - 600 016.

Toll-Free No: 1800 425 2546 | E-mail: sales@gmmcoindia.com | Web: www.gmmco.in



Gmmco

CAT